

ProFeeder series

Compact design and two tabletop options



EasyRobotics[®]
- we move your parts

ProFeeder Tray

COMPACT DESIGN

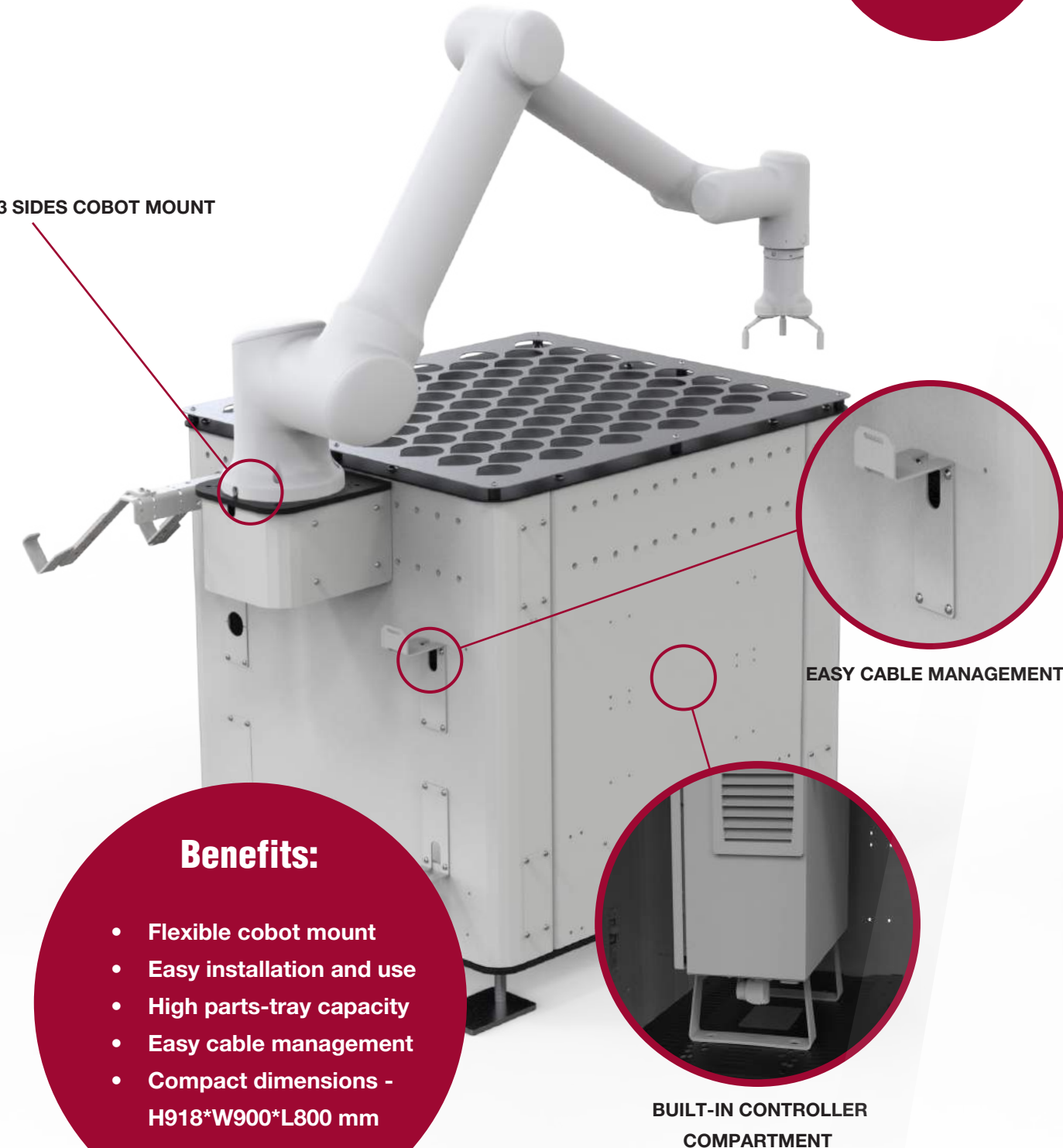
Universal parts-tray occupies the whole surface of the tabletop.

HIGH CAPACITY

Size of the topplate is 900x800mm that ensures high capacity.

UP TO
72
PARTS

3 SIDES COBOT MOUNT



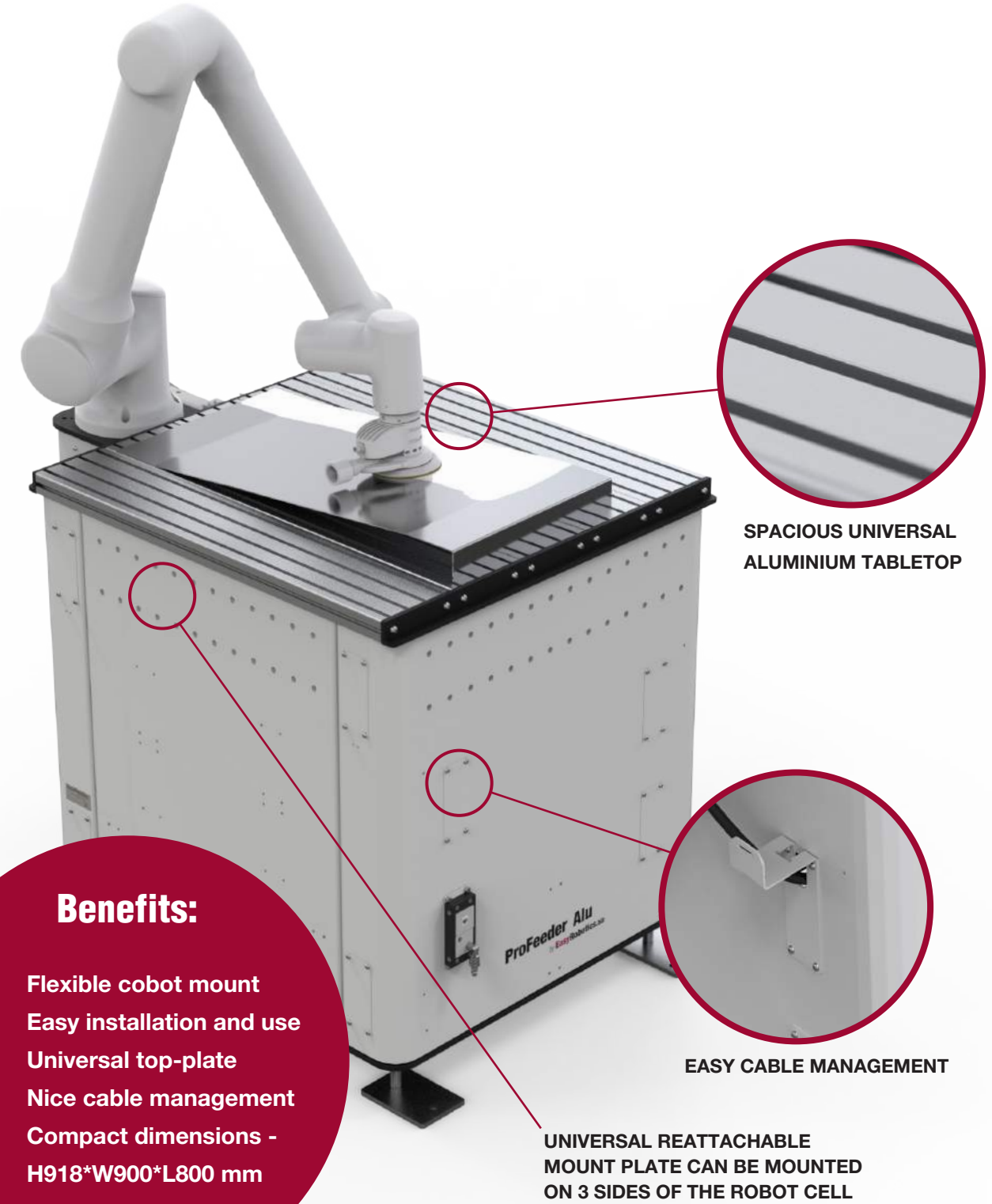
ProFeeder Alu

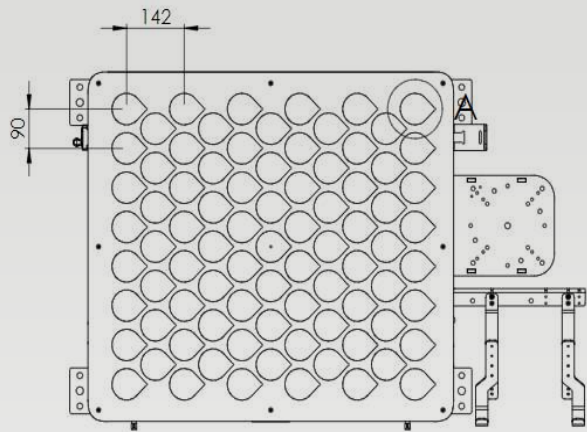
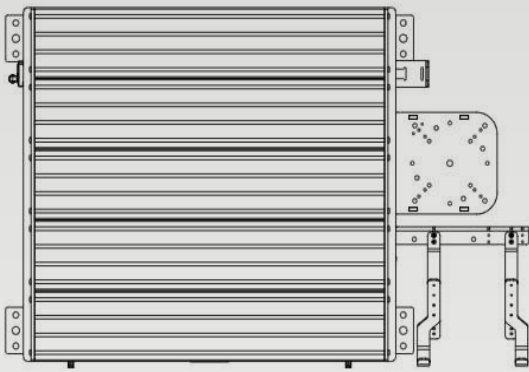
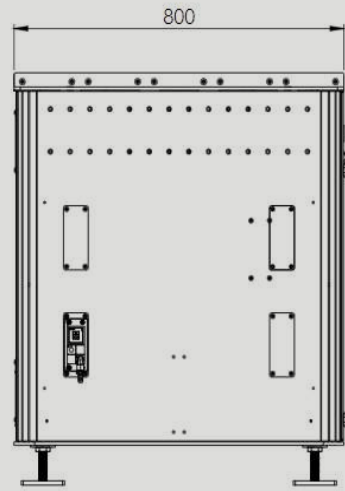
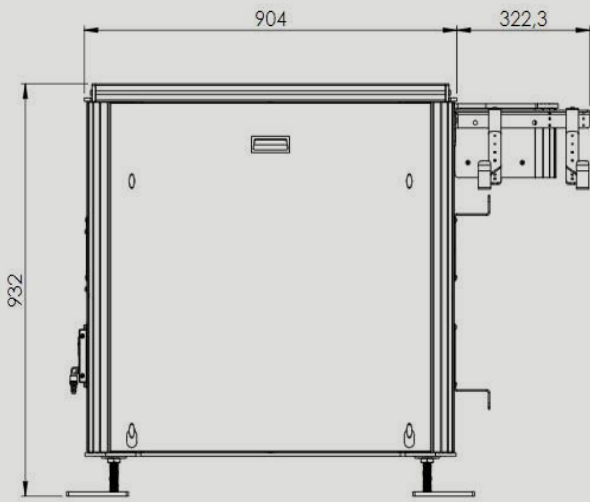
COMPACT DESIGN

The robot cell is compact (H918*W900*L800 mm), but has a spacious tabletop, made from aluminium profile.

VERSATILITY OF USE

The tabletop is truly universal and can be used in automation of a huge number of applications.





Product order overview

PF-1000-T	ProFeeder Tray	H: 900 mm, W: 800mm, L: 1165mm, Wt: 202 kg, T-Pad bracket, Bracket for controller, DT-1000-03 included
PF-1000 A	ProFeeder Alu	H: 932 mm, W: 800mm, L: 1165mm, Wt: 205 kg, T-Pad bracket, Bracket for controller, Alu-profile 40 tabletop

Danish manufacturer and supplier of robotic cells for all types of automation.

EasyRobotics®
- we move your parts

EasyRobotics ApS
 Mommarkvej 5
 DK-6400 Sønderborg
 Phone: +45 31 25 06 02
 info@easyrobotics.dk
 www.easyrobotics.biz

